



ZIL-B

INSULATED BUFFER VESSEL

Features

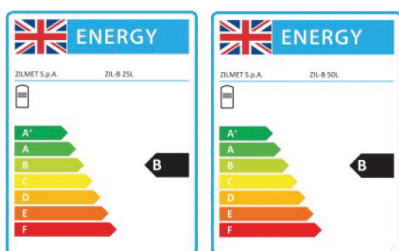
- Available in 25, 50, 80 & 100 litre capacity
- Acts as a buffer storing additional volume and also as a hydraulic separator, separating the primary and secondary circuits.
- Eliminates compressor pump short cycling
- Heat efficient for the heat pump defrost cycle
- Adjustable wall bracket to assist in the event of an uneven install surface
- Premium polyurethane foam insulation with minimal heat loss
- 5 years manufacturer's warranty
- Improves the operating efficiency of heat pumps
- For use on both hot AND cold water systems
- Additional connections for venting and drainage
- Alternative connection models also available

Operating Parameters

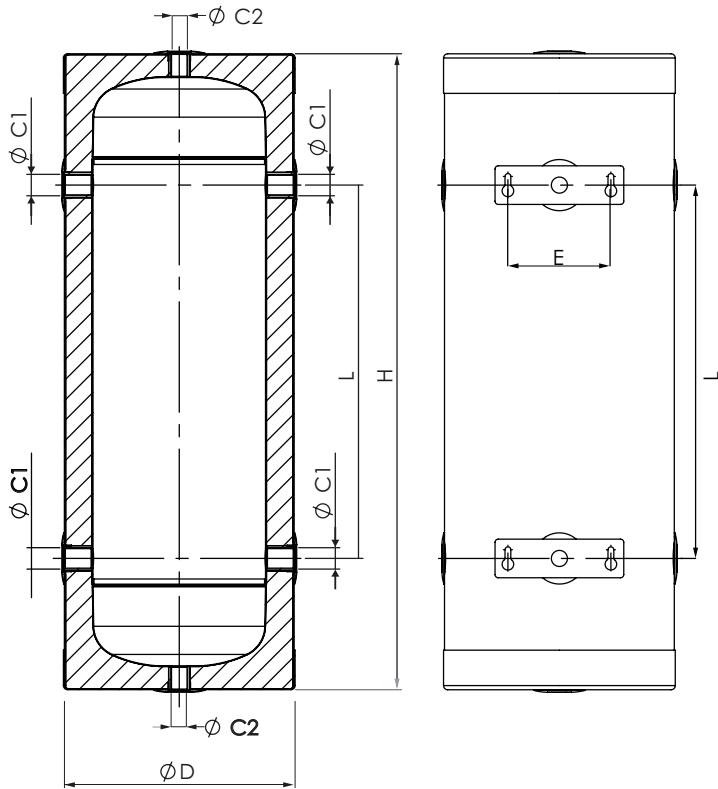
Maximum operating pressure	4 Bar
Maximum operating temperature	95°C
Fluid Type	Water
Glycol Mix	Up to 50%

Specification

Material	Mild Steel
Thickness of insulation	41mm

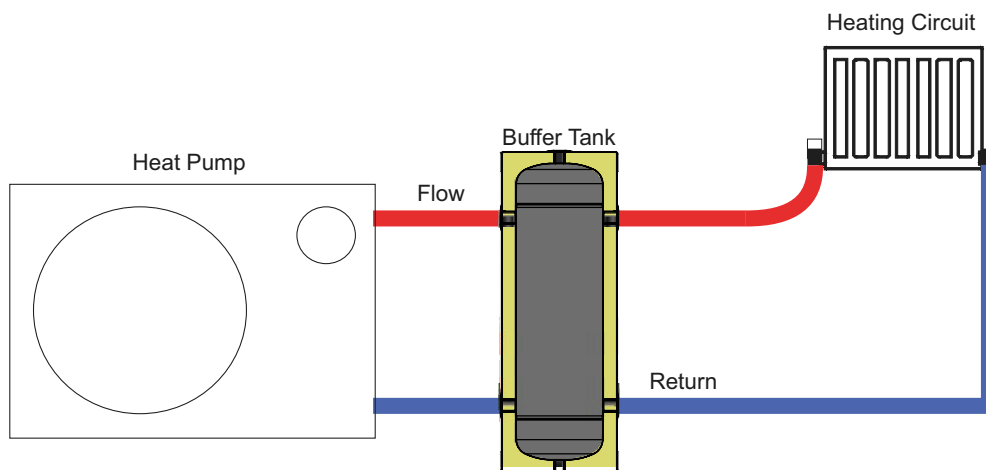


Dimensions



Volume	C1	C2	H	L	D	E
25 L	1"	3/4"	905	480	$\phi 290$	160
50 L	1"	3/4"	988	580	$\phi 360$	160
80 L	1 1/4"	1 1/4"	871	365	$\phi 469$	160
100 L	1 1/4"	1 1/4"	1051	545	$\phi 469$	160

Installation Example



Headquarters

Via del Santo, 242
35010 Limena (PD) - Italy
Tel +39 049 7664901
Fax +39 049 767321
www.zilmet.it - zilmet@zilmet.it

Production Plants - Italy

Limena (PD) Via del Santo, 242
Via Visco, 2 • Via Colpi, 30
Via Tamburin, 15/17
Bagnoli di Sopra (PD)
Via V Strada, 21/23

Branches

Zilmet Deutschland
GmbH www.zilmet.de
Zilmet USA - www.zilmetusa.com
Zilmet UK - www.zilmet.co.uk